

BubbleSpa® Thermostatic Shower System Technical Data Sheet

95005000

Contents:

- BubbleSpa® Overhead Shower
- Exposed Arm Assembly
- 24V Transformer
- Shelf Mixer
- Kelda SilkSpray Hand Shower
- 1.5m Easy-Clean Hose
- Hand Shower Holder
- 2 year Warranty

Materials:

Overhead Shower

- ABS Body
- Chrome Trim
- PMMA Faceplate
- Stainless Steel Nozzles

Exposed Arm

- Stainless Steel

Shelf Mixer

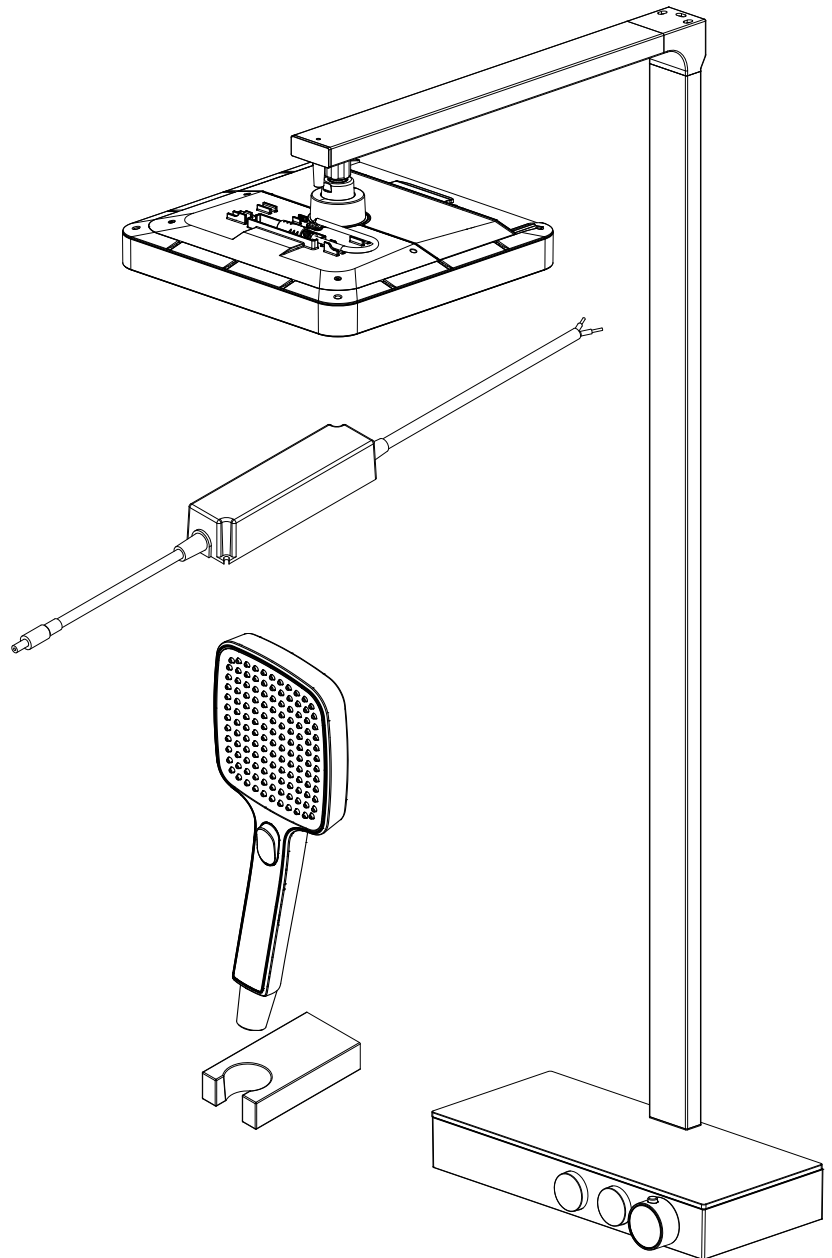
- Glass top
- ABS body
- Brass valve

Hand Shower

- ABS body
- TPE nozzles

Hand Shower Holder

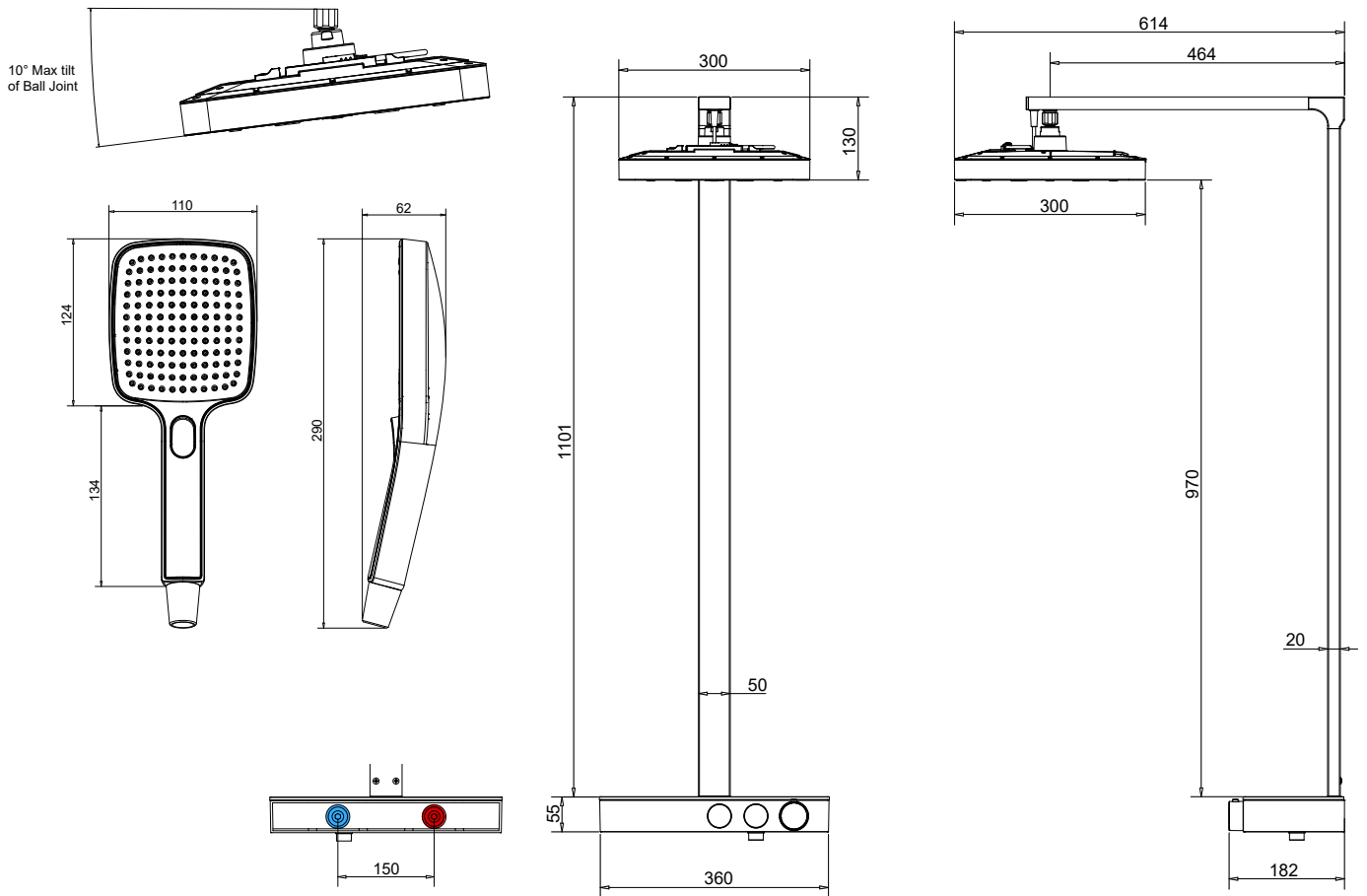
- Brass



Features:

- Kelda BubbleSpa® Air-Powered technology which produces luxury BubbleRain spray pattern
- LED EdgeLight illuminates bubbles with 3 interchangeable light modes
- Button on the BubbleSpa Overhead Shower to cycle through Bubble Modes
- Ball joint which allows Overhead Shower to tilt up to 10° in any direction
- Easy refro-fit on 150mm pipe centres
- Shelf mixer with Kelda SafeStat, Kelda PressContro and Vernet Cartridge
- Hand Shower with 3 settings
- Smooth surface of the Easy-Clean Hose prevents build up of dirt and allows easy cleaning

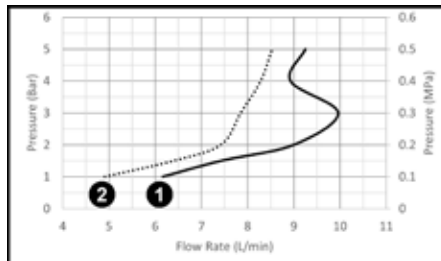
Dimensions



Specifications

Electrical Input	
Voltage Range	90 ~ 305VAC
Frequency Range	47 ~ 63Hz
AC Current	0.4A / 115VAC 0.25A / 230VAC 0.2A / 277VAC
Electrical Output	
DC Voltage	24V
Constant Current Region	13.2 ~ 24V
Rated Current	1.05A
Rated Power	25.2W

Minimum Working Pressure: 2bar / 0.2MPa (dynamic)
 Maximum Working Pressure: 5bar / 0.5MPa (dynamic)
 Inlet Feed: cold & hot
 Inlet Connection: 2x 15mm copper pipe
 Inlet Centre Distance: 150mm



1 - Hand Shower
 2 - Overhead Shower

Measurements taken with a 10L/min flow regulator in Overhead Shower and 9.5L/min flow regulator in Hand Shower

Can be run off 32A 30mA RCBO. Does not require independent circuit to consumer unit.



Part Number: 18003

Unit 11 Brickfield Lane
 Chandler's Ford
 Hampshire
 SO53 4DR

info@keldashowers.com
 +44 (0)2381 290640