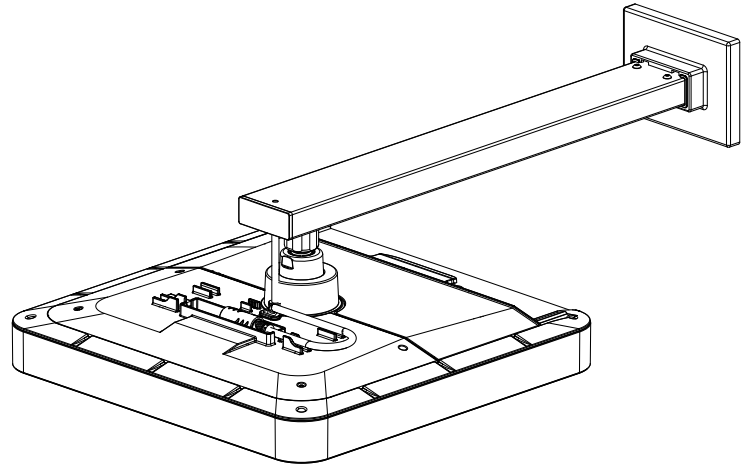


BubbleSpa® Overhead Shower Technical Data Sheet

95001000 / 95002000

Contents:

- BubbleSpa® Overhead Shower
- Wall Arm/ Ceiling Arm Assembly
- 24V Transformer
- 2 year warranty



Materials:

Overhead Shower

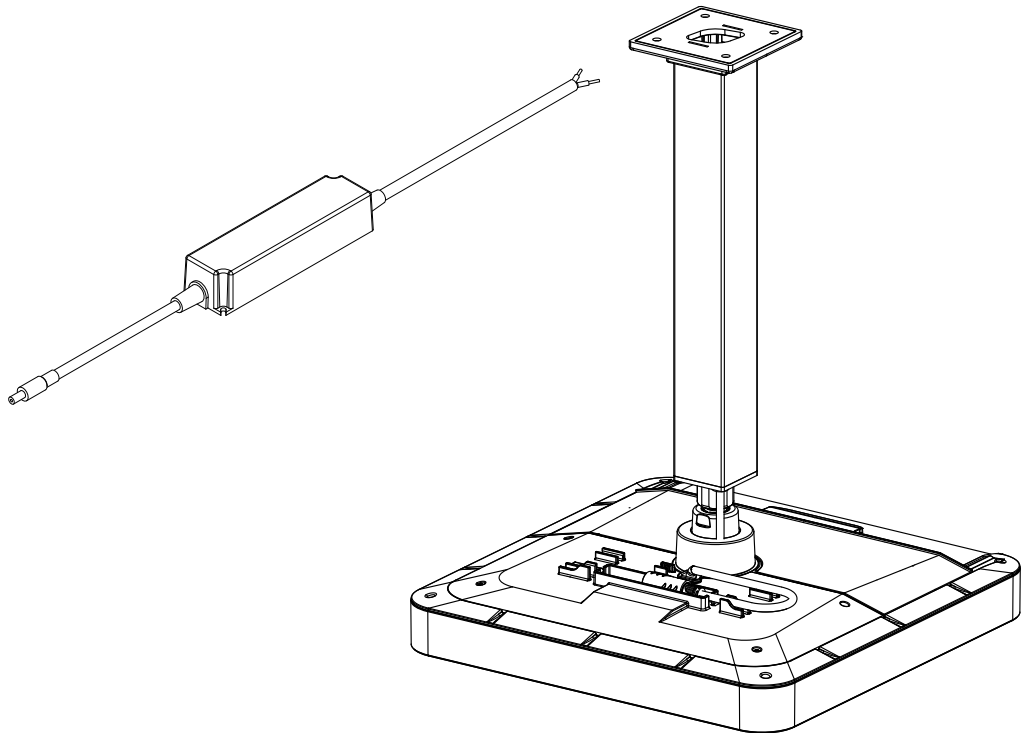
- ABS body
- Chrome trim
- PMMA faceplate
- Stainless Steel nozzles

Wall Arm

- Stainless Steel arm

Ceiling Arm

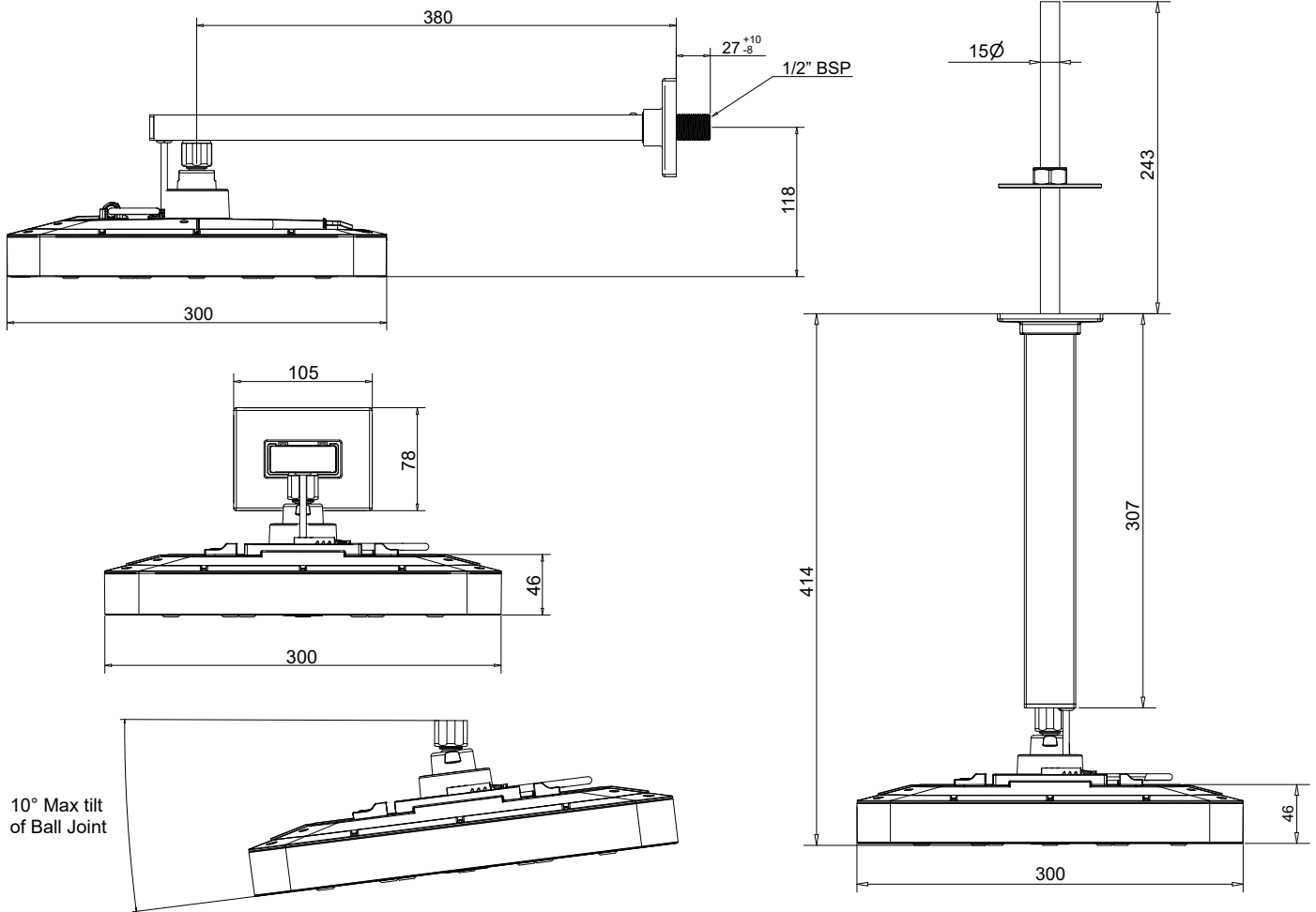
- Stainless Steel arm
- Copper tube



Features:

- Kelda BubbleSpa® Air-Powered technology which produces luxury BubbleRain spray pattern
- LED EdgeLight illuminates bubbles with 3 interchangeable light modes
- Button on the BubbleSpa Overhead Shower to cycle through Bubble Modes
- Ball joint which allows Overhead Shower to tilt up to 10° in any direction

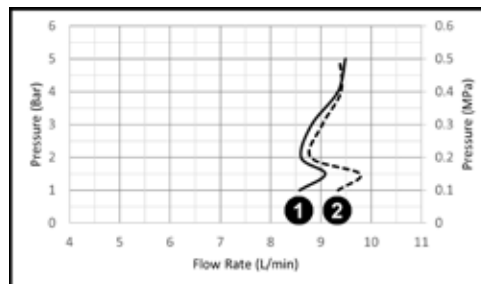
Dimensions



Specifications

Electrical Input	
Voltage Range	90 ~ 305VAC
Frequency Range	47 ~ 63Hz
AC Current	0.4A / 115VAC 0.25A / 230VAC 0.2A / 277VAC
Electrical Output	
DC Voltage	24V
Constant Current Region	13.2 ~ 24V
Rated Current	1.05A
Rated Power	25.2W

Minimum Working Pressure: 1.5bar / 0.15MPa (dynamic from valve)
 Maximum Working Pressure: 5bar / 0.5MPa (dynamic)
 Inlet Feed: mixed
 Wall Arm Inlet Connection: 1/2" BSP
 Ceiling Arm Inlet Connection: 15mm Pipe



1 - Wall Arm
 2 - Ceiling Arm

Measurements taken with a 10L/m flow regulator

Can be run off 32A 30mA RCBO. Does not require independent circuit to consumer unit.



Part Number: 18001

Unit 11 Brickfield Lane
 Chandler's Ford
 Hampshire
 SO53 4DR

info@keldashowers.com
 +44 (0)2381 290640