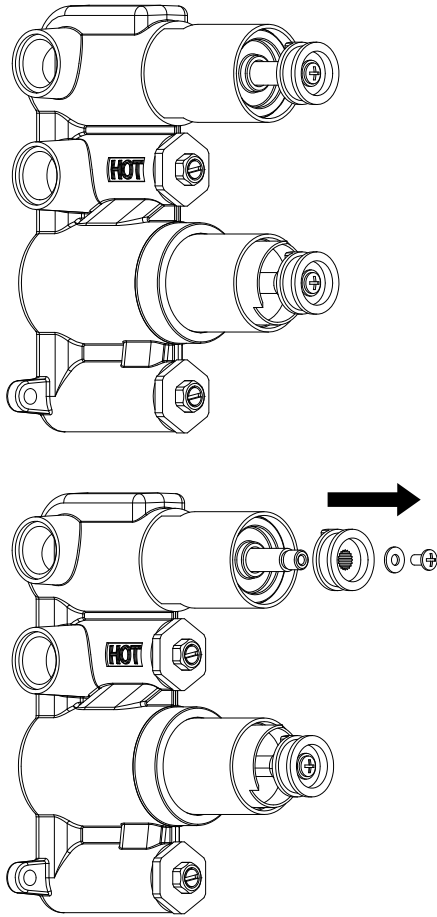


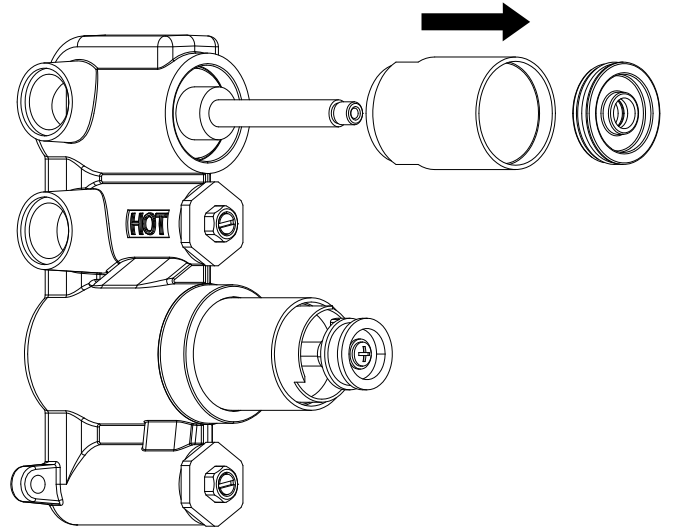
If you wish to install the hand shower on the right-hand side (image above), the diverter inside the mixer valve needs to be flipped so the artwork on the Kelda Plate matches the outlet. With the setup above water will come out of the BubbleSpa if the valve is turned to the Hand Shower. Flipping the Flow Cartridge inside of the mixer valve fixes this issue and ensures the artwork matches the valve i.e. water will come out of the Hand Shower if the valve is turned to the Hand Shower. This process should be carried out before the valve is installed.

1



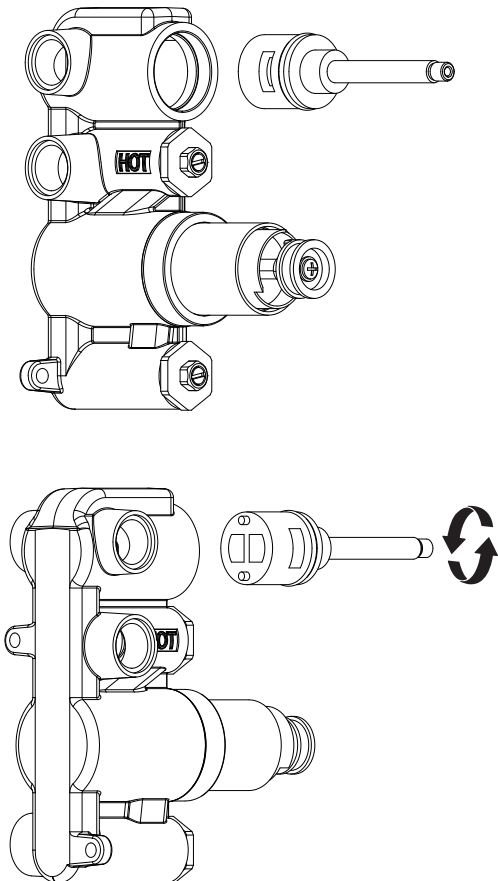
Unscrew the top screw and remove the washer and Flow Adaptor.

2



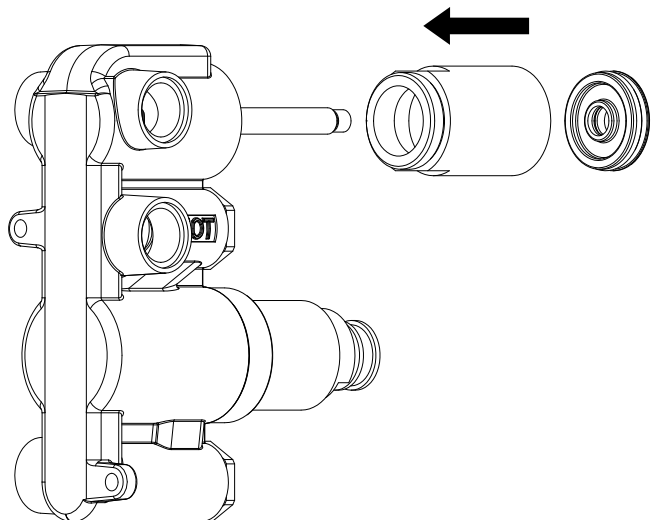
Using an adjustable spanner, unscrew the Flow Collar and remove the seal. There are flats on the back for the adjustable spanner to grip on to.

3



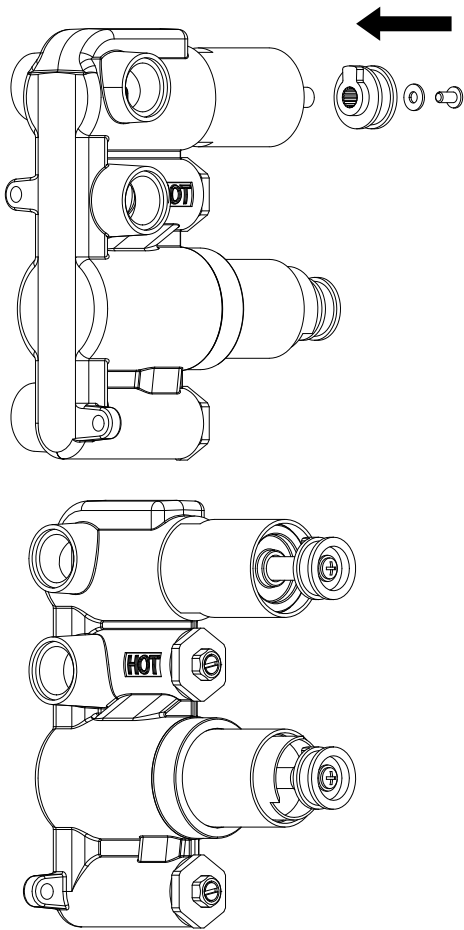
Remove the Flow Cartridge, turn it 180° and place it back inside the valve. Use the 2 locator pins on the back of the Flow Cartridge to make sure it is secured.

4



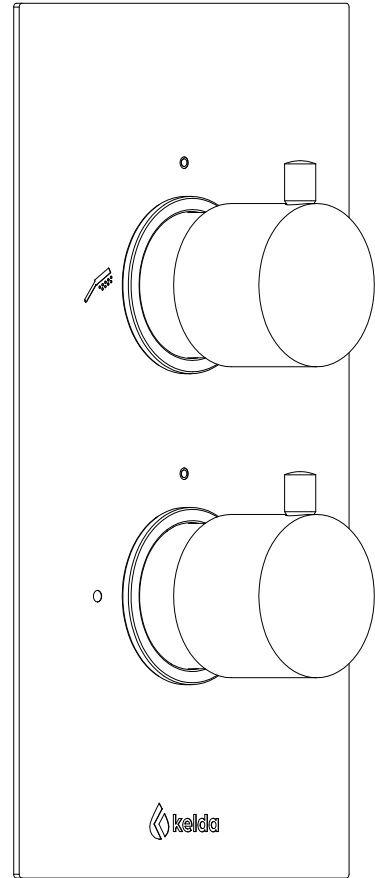
Screw the Flow Collar with the seal back into the valve using an adjustable spanner. Ensure the seal is pushed down the Flow Collar as far as it can go.

5

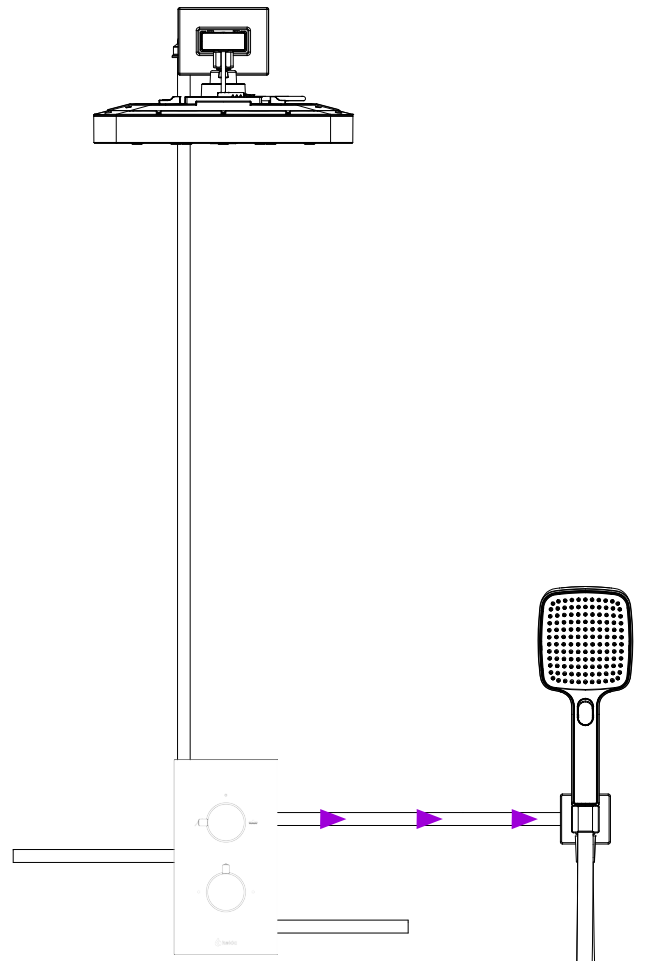
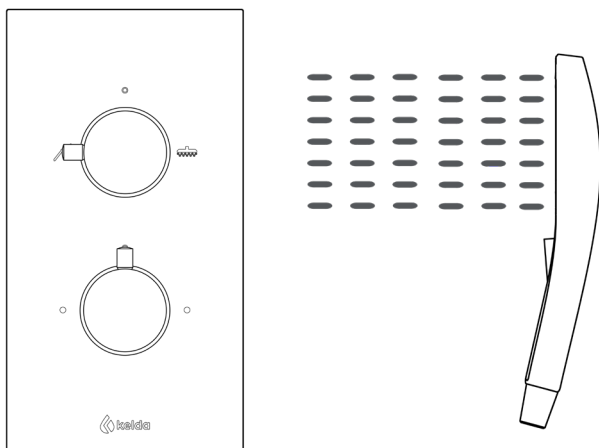


Place the Flow Adaptor and washer back onto the Flow Cartridge and secure them with the screw.

6



Install the valve as per the instructions.



With the Flow Cartridge reversed, the water will flow out in the opposite direction to the knob. This allows the artwork to match the water outlet with the Hand Shower.